



PROJECT		REF		REV	ITEM CODE	
LOCATION		DATE			PAGE	

SANITARY WARE SPECIFICATION SHEET

<p>Item Descriptions</p> <p>Haw (USA) Wall mounted eye and face wash include stainless steel 11" (27.9 cm) round bowl, 3.7 gpm flow control, chrome-plated brass stay-open ball valve equipped with stainless steel ball and stem, and chrome-plated brass in-line 50 x 50 mesh water strainer</p>	<p>Model 7260B-7270B</p> <p>Finish Stainless Steel</p> <p>Manufacturer Haws (USA)</p> <p>Supplier Acme Sanitary Ware Co. Ltd Mr. Eric Wong/ Mr. Don Yuen</p> <p>Contact Tel/Fax (852) 2388-7171 / (852) 2710-8012</p> <p>E-mail acme@acmesanitary.com.hk</p> <p>Website www.acmesanitary.com.hk</p>	<p style="text-align: center;">Illustration/ Drawing</p> <div style="text-align: center;"> </div> <div style="text-align: center;"> </div>
<p>AXION® MSR Wall Mount Eye/Face Wash</p> <p>Model 7360B-7460B wall mounted eye/face wash shall include a stainless steel 11" (27.9 cm) round bowl, an AXION® MSR eye/face wash head shall feature inverted directional laminar flow which achieves Zero Vertical Velocity™ supplied by an integral 3.7 gpm flow control, chrome-plated brass stay-open ball valve equipped with stainless steel ball and stem, and chrome-plated brass in-line 50 x 50 mesh water strainer. Unit shall also include cast-aluminum chromate protected wall bracket, yellow plastic pop-off dust cover for eyewash head, universal sign, 1/2" NPT inlet, and 1-1/4" NPT waste.</p>		
<p>QUALITY CONTROL</p> <p>Eye/face wash and valve assembly is pre-built and fully water/pressure tested to ensure no leaks and proper function which ultimately reduces installation time and gives the end contractor an added peace of mind. Unit also ships with pre-assembled cast-aluminum wall bracket to assist in the installation process.</p>		
<p>BOWL</p> <p>The 11" (27.9 cm) round stainless steel receptor is supplied with a No. 2L bright finish on its exterior</p>		
<p>STRAINERS/FILTERS</p> <p>Chrome-plated brass in-line 50 x 50 mesh water strainer prevents debris from reaching the eyewash so the unit stays functioning at its best. Strainer is easily serviceable.</p>		
<p>EYE/FACE WASH</p> <p>AXION® MSR eye/face wash head uses an inverted directional laminar flow to sweep contaminants away from the vulnerable nasal cavity.</p>		

* All information of the above is for the reference only. No prior notice is made if any changes.



Dust Cover

Model 9091 yellow plastic dust cover for the AXION® MSR eye/face wash head.



Mounting Bracket

Model SP80 cast-aluminum wall bracket with chromate protective finish.



In-Line Strainer

Model SP509 chrome-plated brass in-line 50 x 50 mesh water strainer.



Universal Eyewash Sign

Model SP175 vertical universal emergency eyewash sign. Size: 8" x 10-3/4" (20.3 x 27.3 cm).



Eyewash Bowl

Model SP93 11" (27.9 cm) round green ABS plastic receptor. Resistant to damage from alkalis, salt solutions, oils and most acids.



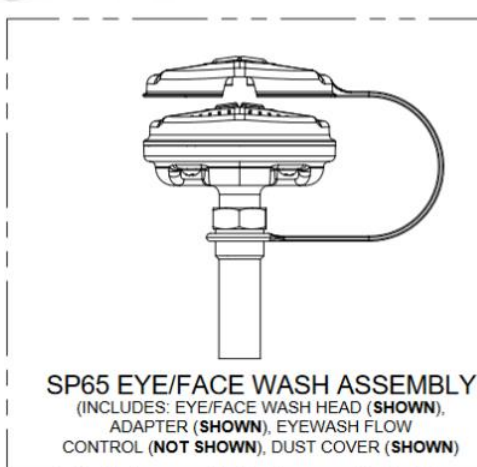
AXION® MSR Eye/face Wash Head

Model SP65, AXION® MSR eye/face wash head with inverted directional flow, laminar flow, and integral flow control.

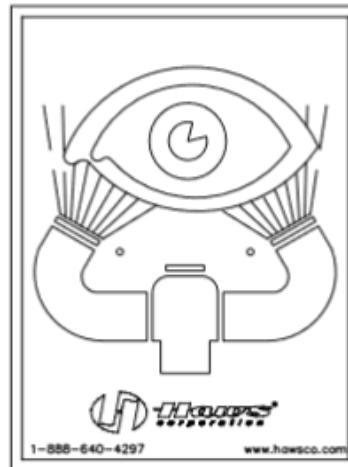


Ball Valve With Flag

Model SP229 chrome-plated brass stay-open ball valve, equipped with a stainless steel ball and stem.



SP65 EYE/FACE WASH ASSEMBLY
(INCLUDES: EYE/FACE WASH HEAD (SHOWN), ADAPTER (SHOWN), EYEWASH FLOW CONTROL (NOT SHOWN), DUST COVER (SHOWN))



SP175 EYEWASH SIGN

PARTS BREAKDOWN

